

Mail or Fax to:

ET Mags • 1965 W. Ave 140th • San Leandro, CA 94577 • Ph (510) 895-8880 • Fx (510) 895-8102
 email: sales@ETMags.com • web: www.ETMags.com

Name _____ Email _____

Phone (H) _____ Phone (W) _____ Fax _____

Address _____

City _____ State _____ Zip _____

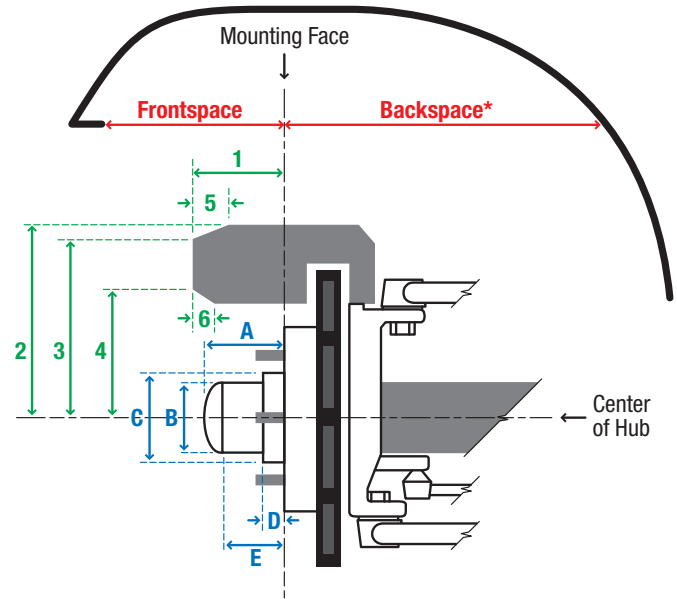
Car Make _____

Year _____

Model _____

***NOTE:** Measure Backspace to the **FIRST** point of contact. Look carefully up and down for the first point at the rear – which is often the leaf spring.

USEFUL TIP: Wheels are 1 inch wider than the size suggests. For instance a 15x7 is actually 8 inches wide overall. Width wise, to fit a 15x7 you will need 8 inches for the wheel plus tire bulge.



	FRONT		REAR	
	Left	Right	Left	Right
OFFSETS				
Backspace (mounting face under, calculated at ride height)				
Frontspace (mounting face out, calculated at ride height)				
BRAKE CALIPER				
1 Caliper overhang (mounting face out)				
2 Center hub to outside brake (maximum radius)				
3 Center hub to upper inclination (maximum radius)				
4 Center hub to lower inclination (minimal radius)				
5 Upper caliper inclination				
6 Lower caliper inclination				
CENTER HUB				
A Total height of hub				
B Diameter of hub				
C Diameter of center bore				
D Height of center bore				
E Height of hub				

PROPRIETARY AND CONFIDENTIAL

The information contained in this drawing is the sole property of Team Three Wheels Inc. Any reproduction in part or as a whole without the written permission of Team Three Wheels Inc. is prohibited.